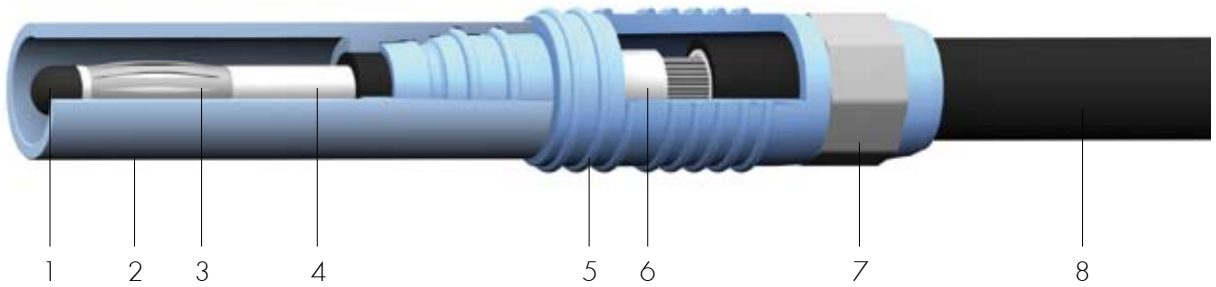




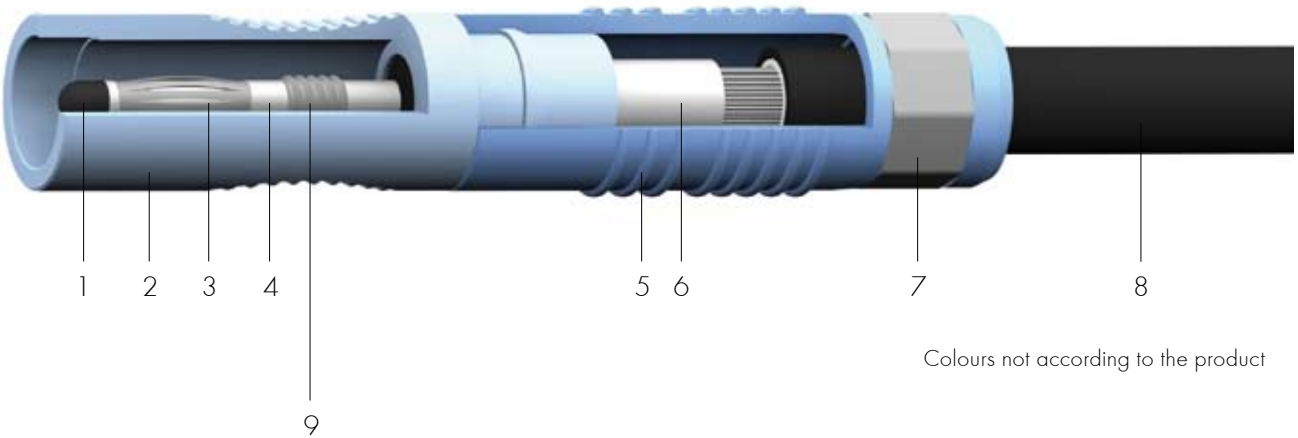
## RADOX® SOLAR connector

### Presentation of the contact and construction principle

#### Connector push-pull



#### Connector with integrated twist lock



Colours not according to the product

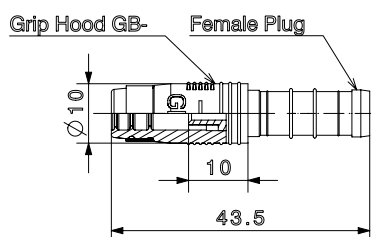
- 1 Protection cap
- 2 Slim plastic connector housing
- 3 Lamella contact
- 4 Solid contact carrier
- 5 Grip hood
- 6 Solid crimp barrel
- 7 Crimp ring
- 8 Cable
- 9 Twist lock providing additional electrical connection



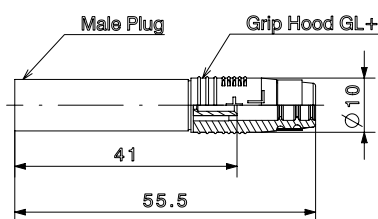
## RADOX® SOLAR connector push-pull 2.5 mm<sup>2</sup>



- Small profile
- High current capacity
- Constant low transition resistance
- High mechanical resistance
- UV- and ozone resistant
- Protection mode IP 67 in mated condition
- TÜV approval
- Easy assembly



SOLAR female push-pull 2.5mm<sup>2</sup>



SOLAR male push-pull 2.5 mm<sup>2</sup>



Ordering information	Item no.
SOLAR connector 2.5 mm <sup>2</sup> push-pull female	12720821 (containing 250 pcs.)
SOLAR connector 2.5 mm <sup>2</sup> push-pull male	12720820 (containing 250 pcs.)

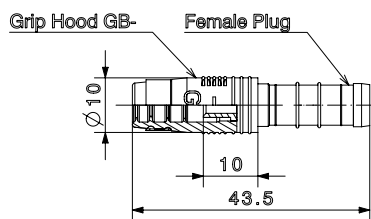
Technical data		
Outer diameter contact carrier	4 mm	
Contact carrier	brass tin-plated	
Contact principle	copper beryllium lamella contact	
Disengagement force in mated condition	approx. 55 N	
Compatible cables	RADOX® SOLAR cable, RADOX® SMART	
Compatible connectors	RADOX® SOLAR connectors push-pull and twist lock	
Termination type	crimp with HUBER+SUHNER tongs with crimp insert 2.5, item no. 24101518	
Plastic material	grip hood	lamella connector
Material	TPE	PA 6.6
Chemical resistance	UV and ozone resistant	
Temperature range	-40 °C up to +110 °C	
Current carrying capacity	28 A at +85 °C	
Max. system voltage	1000 V/DC	
Transition resistance	< 1 mΩ	
Protection type	II	
Protection mode	IP 67 in mated condition	
TÜV Rheinland approval	certificate no. R 60017637, DIN V VDE V 0126-3/12.06	



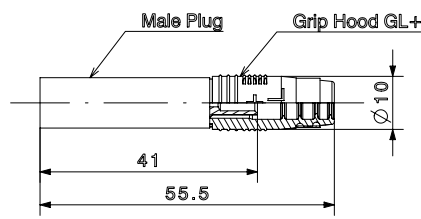
## RADOX® SOLAR connector push-pull 4 mm<sup>2</sup>



- Small profile
- High current capacity
- Constant low transition resistance
- High mechanical resistance
- UV- and ozone resistant
- Protection mode IP 67 in mated condition
- TÜV approval
- Easy assembly



SOLAR female push-pull 4 mm<sup>2</sup>



SOLAR male push-pull 4 mm<sup>2</sup>

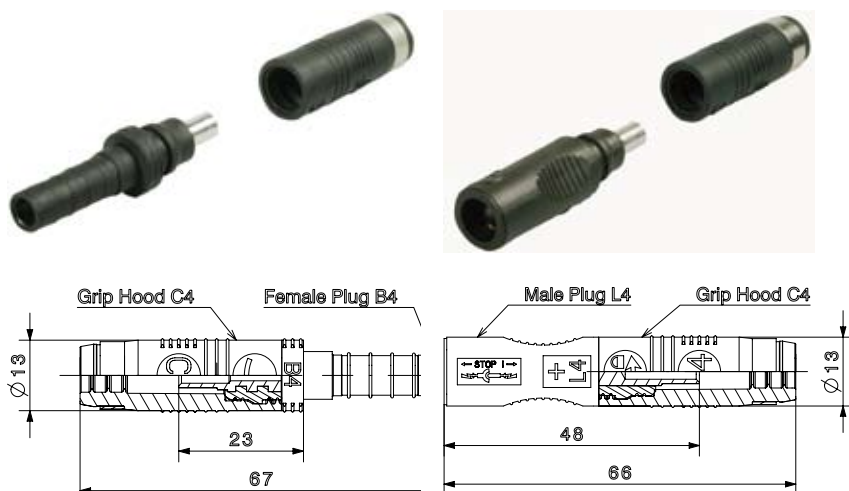


Ordering information	Item no.
SOLAR connector 4 mm <sup>2</sup> push-pull female	24500072 (contains 250 pcs.)
SOLAR connector 4 mm <sup>2</sup> push-pull male	24500070 (contains 250 pcs.)

Technical Data		
Outer diameter contact carrier	4 mm	
Contact carrier	brass tin-plated	
Contact principle	copper beryllium lamella contact	
Disengagement force in mated condition	approx. 55 N	
Compatible cables	RADOX® SOLAR cable, RADOX® SMART	
Compatible connectors	RADOX® SOLAR connectors push-pull and twist lock	
Termination type	crimp with HUBER+SUHNER tongs with crimp insert 4 mm <sup>2</sup> , item no. 24101518	
Plastic material	grip hood	lamella connector
Material	TPE	PA 6.6
Chemical resistance	UV- and ozone resistant	
Temperature range	-40 °C up to +110 °C	
Current carrying capacity	38 A at +85 °C	
Max. system voltage	1000 V/DC	
Transition resistance	< 1 mΩ	
Protection type	II	
Protection mode	IP 67 in mated condition	
TÜV Rheinland approval	certificate no. R 60017637, DIN V VDE V 0126-3/12.06	



## RADOX® SOLAR connector with integrated twist lock 4 mm<sup>2</sup>



- Small profile
- Integrated twist locking
- High current capacity
- Constant low transition resistance
- High mechanical resistance
- UV- and ozone resistant
- Protection mode IP 67 in mated condition
- Easy assembly



SOLAR female twist lock 4 mm<sup>2</sup>

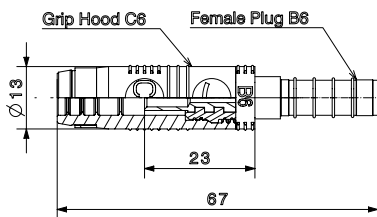
SOLAR male twist lock 4 mm<sup>2</sup>

Ordering information	Item no. TÜV	Item no. CSA
SOLAR connector 4 mm <sup>2</sup> twist lock female (contains 250 pcs.)	24500095	13720828
SOLAR connector 4 mm <sup>2</sup> twist lock male (contains 250 pcs.)	24500094	13720827

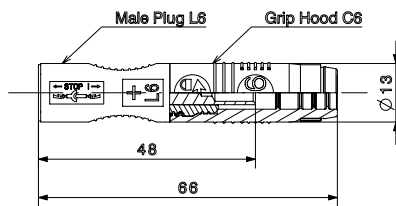
Technical data	
Outer diameter contact carrier	4 mm
Contact carrier	brass tin-plated
Contact principle	copper beryllium lamella contact
Compatible cables	RADOX® SOLAR cable, RADOX® SMART, RADOX® Solarlink
Compatible connectors	RADOX® SOLAR connectors push-pull and twist lock
Termination type	crimp with HUBER+SUHNER tongs with crimp insert 4 mm <sup>2</sup> , item no. 24101803
Plastic material	grip hood   lamella connector
Material	TPE   PA 6.6
Chemical resistance	UV and ozone resistant
Temperature range	-40 °C up to +110 °C
Current carrying capacity	38 A at +85 °C
Max. system voltage	1000 V/DC or 600 V/DC
Transition resistance	< 1 mΩ
Protection type	II
Protection mode	IP 67 in mated condition
TÜV Rheinland approval	certificate no. R 60017637, DIN V VDE V 0126-3/12.06
CSA approval	certificate no. 2059270 according to UL 486 A, B, UL 1703



## RADOX® SOLAR connector with integrated twist lock 6 mm<sup>2</sup>



SOLAR female twist lock 6 mm<sup>2</sup>



SOLAR male twist lock 6 mm<sup>2</sup>

- Small profile
- Integrated twist locking
- High current capacity
- Constant low transition resistance
- High mechanical resistance
- UV- and ozone resistant
- Protection mode IP 67 in mated condition
- Easy assembly



Ordering information	Item no. TÜV	Item no. CSA
SOLAR connector 6 mm <sup>2</sup> twist lock female (contains 250 pcs.)	24500093	13720833
SOLAR connector 6 mm <sup>2</sup> twist lock male (contains 250 pcs.)	24500092	13720832

Technical data	
Contact diameter contact carrier	4 mm
Contact carrier	brass tin-plated
Contact principle	copper beryllium lamella contact
Compatible cables	RADOX® SOLAR cable, RADOX® SMART, RADOX® Solartlink
Compatible connectors	RADOX® SOLAR connectors push-pull and twist lock
Termination type	crimp with HUBER+SUHNER tongs with crimp insert 6 mm <sup>2</sup> , item no. 24101803
Plastic material	grip hood   lamella connector
Material	TPE   PA 6.6
Chemical resistance	UV and ozone resistant
Temperature range	-40 °C up to +110 °C
Current carrying capacity	38 A at +85 °C
Max. system voltage	1000 V/DC or 600 V DC
Transition resistance	< 1 mΩ
Protection type	II
Protection mode	IP 67 in mated condition
TÜV Rheinland approval	certificate no. R 60017637, DIN V VDE V 0126-3/12.06
CSA approval	certificate no. 2059270 according to UL 486 A, B, UL 1703